

**OBLIQUE VALVE, FLANGED INLET
MODEL: NDR 100**

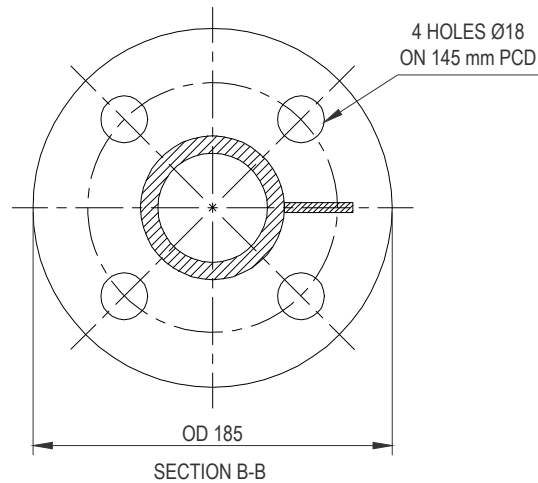
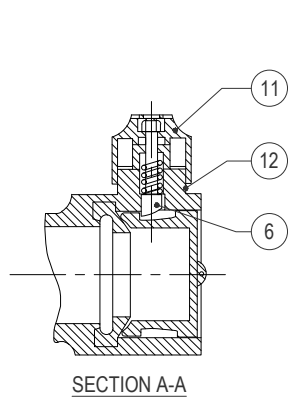
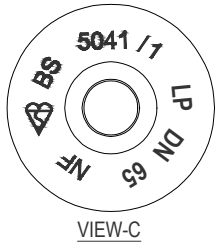
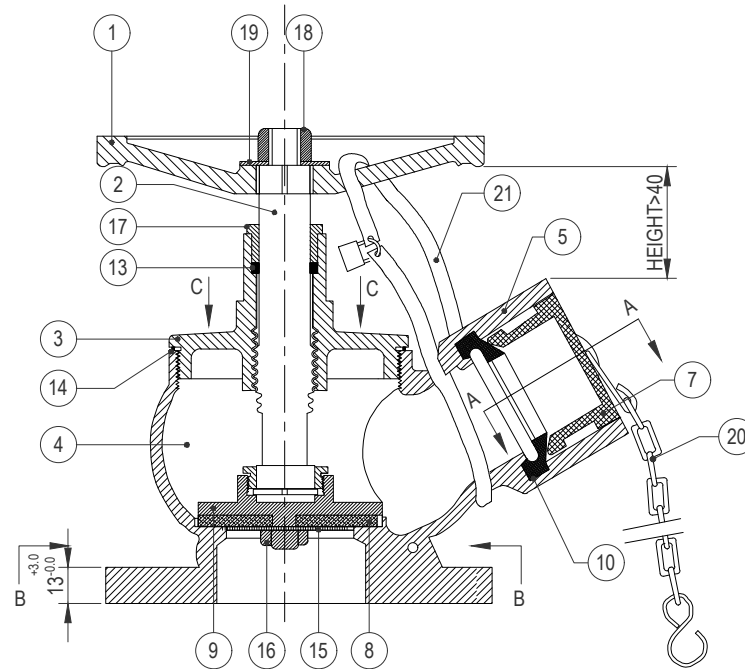


NOTES :-

1. ALL DIMENSIONS ARE IN mm. UNLESS OTHERWISE SPECIFIED
2. MAX. WORKING PRESSURE: 15BAR
3. TEST PRESSURE
 - a. VALVE SEAT TEST AT 16.5 BAR FOR 2 min.
 - b. BODY TEST AT 22.5 BAR FOR 2 min.
4. LANDING VALVE CONFORMING TO BS 5041 / 1
5. MIN. WATER FLOW RATE AND OUTLET PRESSURE :8.5 L/S @ 4.7 BAR
6. MARKING ON THE BODY : NDR 100

BILL OF MATERIALS

ITEM NO.	DESCRIPTION	MATERIAL/GRADE
1	HAND WEEL	GRAY CAST IRON 180
2	STEM	COPPER ALLOY, CW721R
3	BONNET	COPPER ALLOY, CZ122
4	BODY	COPPER ALLOY, CC491K
5	FEMALE INST. OUTLET	COPPER ALLOY, CC491K
6	CAM TOOTH	COPPER ALLOY, CZ122
7	BLANK CAP	COPPER ALLOY, CC491K
8	RENEWABLE DISK FACING	RUBBER, CHLOROPENE Z70
9	RENEWABLE DISK	COPPER-ZINC ALLOY, CZ122
10	WASHER	RUBBER, CHLOROPENE Z70
11	UPPER PART OF LUG	COPPER ALLOY, CZ122
12	LOWER PART OF LUG	COPPER ALLOY, CZ122
13	GLAND RUBBER SEAL	RUBBER, CHLOROPENE Z70
14	BONNER TEFLON SEAL	PTFE
15	WASHER (OD45X13X2.5thick.)	COPPER ALLOY, CZ122
16	NUT	COPPER ALLOY, CZ121
17	GLAND NUT	COPPER ALLOY, CZ121
18	NUT	STAINLESS STEEL 304
19	WASHER (OD24X13X1.5thick.)	STAINLESS STEEL 304
20	'S' HOOK & CHAIN	'S' - HOOK : BRASS CHAIN : STAINLESS STEEL
21	STRAP WITH PAD LOCK	STRAP-LATHER (12mm WIDE, 2mm THICK) LOCK - NON - FERROUS



SPECIFICATION:-

MODEL	NDR 100
VALVE TYPE	OBLIQUE, FLANGED INLET
PRESSURE RATING	LOW PRESSURE VALVE
INLET FLANGE SIZE	DN 65
WORKING PRESSURE	15 BAR MAXIMUM
TEST PRESSURE	VALVE SEAT TEST AT 16.5 BAR, BODY TEST AT 22.5 BAR
FLANGE DRILLING	BS 4504 PART 2:1974 TABLE:16/21
WATER FLOW RATE	8.5 L/S @ 4 BAR OUTLET PRESSURE